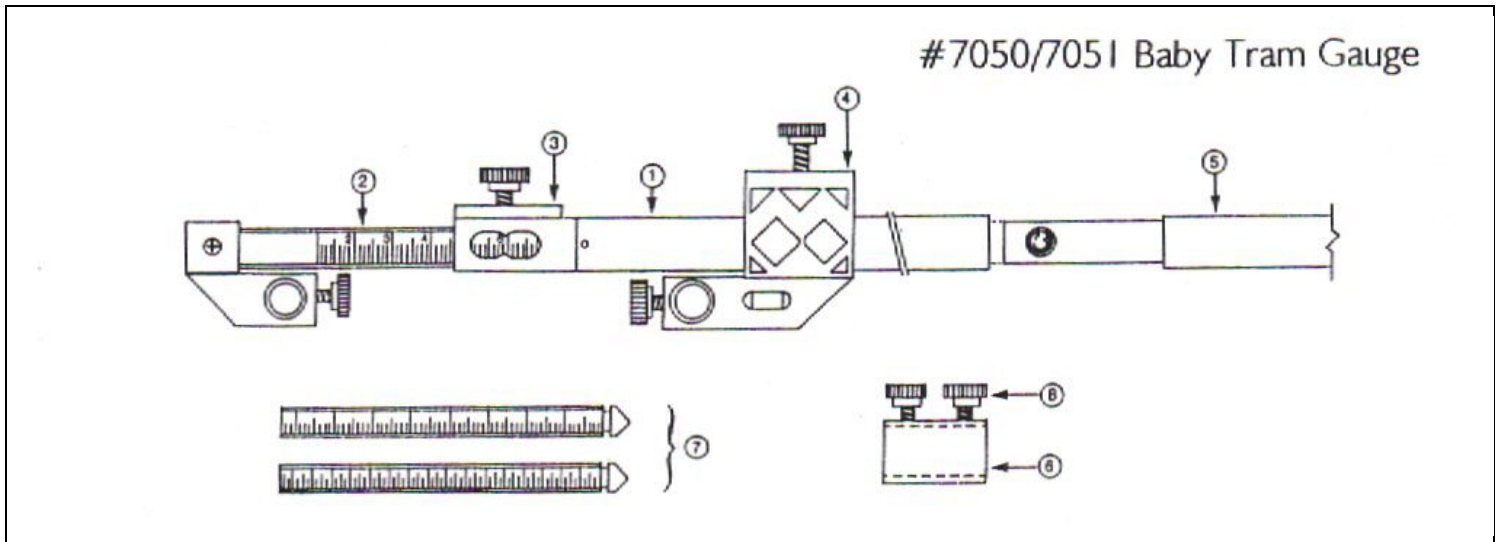


Mo-Clamp® Tram Gauges

#7050/7051

Parts Breakdown



<u>Item #</u>	<u>Part#</u>	<u>Qty</u>	<u>Description</u>
1.	900514	1	839mm main body
2.	900513	1	737mm inside slide w/tape & fixed pointer bracket
3.	850032	1	Slide retainer plate
4.	900518	1	sliding pointer bracket
5.	900515	1	813mm extension body
6.	850034	1	connector sleeve
7.	850059	2	23mm pointer
8.	850019	6	black thumb screws
9.	850021	1	Fixed pointer bracket only

Ordering Information:

Any parts may be ordered through your normal distributor.

Pointers for both trams are interchangeable.

Often the longer 610mm pointers, (8.) are ordered as extras and then cut to size at the shop for special vehicle applications as-needed.

Pull-it Corp.
 6920 SW 111th Ave.
 Beaverton, OR 97001
 Phone 800.678.5548 Fax 503.644.2733
 We're on the web at: www.moclamp.com