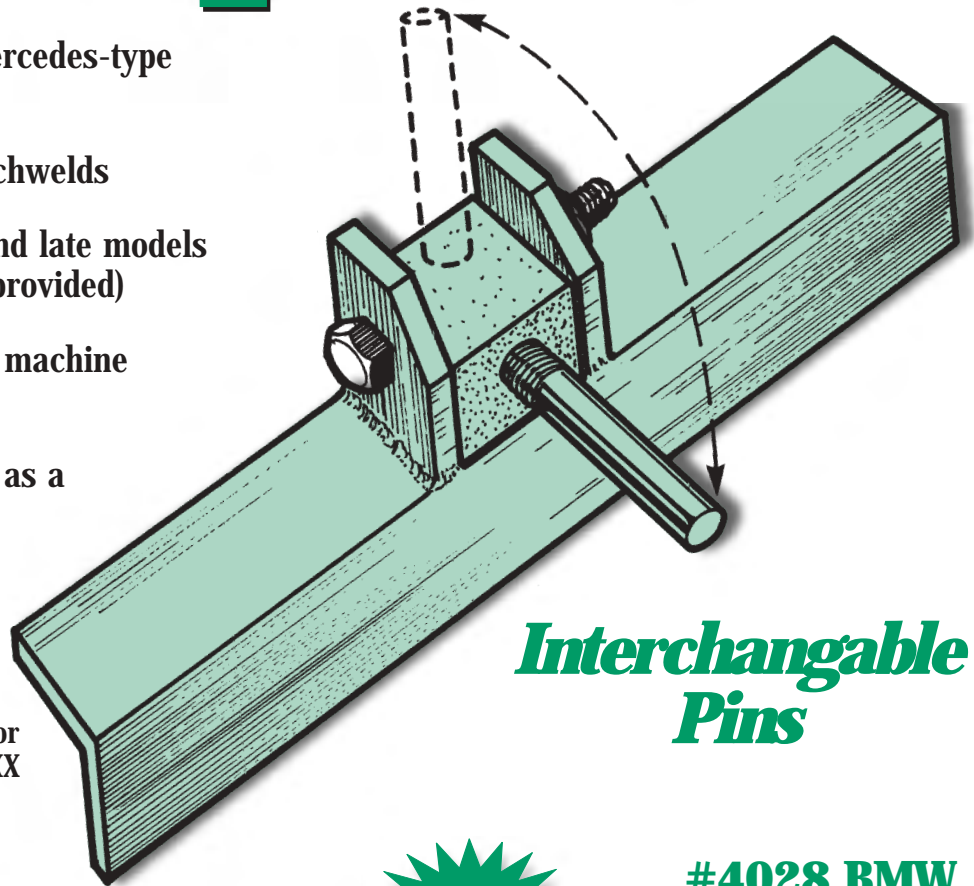


Anchoring Adapters

- For holding vehicles with Mercedes-type and BMW-type jack tubes
- Just clamp in traditional pinchwelds
- Jack pin adapters fit early and late models (2 different diameter pins provided)
- Universal base fits all frame machine clamping systems
- Can be drilled and bolted on as a permanent fixture

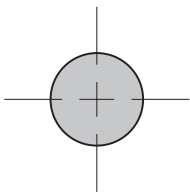


Anchor
part #XXXXXX

*Interchangeable
Pins*

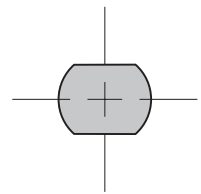
#4018 Mercedes Anchoring Adapter

(set of 4) Pin part #xxxxx



#4028 BMW Anchoring Adapter

(set of 4) Pin part #xxxxx

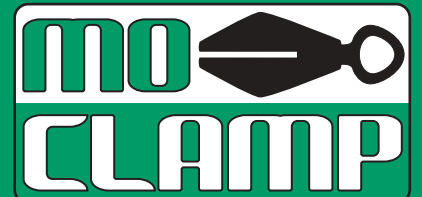


100% Made in U.S.A.

40X8DATA1201

6920 SW 111th Avenue, Beaverton, OR 97008 USA
1-800-678-5548 • (503) 644-9167 • Fax (503) 644-2733
www.moclamp.com email: sales@moclamp.com

© Pull-It Corporation



COLLISION REPAIR TOOLS & ACCESSORIES